

# INPAR

520 кг/ч – 10.000 кг/ч

 **insuz**  
Heating Systems  
[www.insuz.com](http://www.insuz.com)



**Паровой жаротрубный  
трехходовой стальной котел**

- Надежный и прочный дизайн
- Высокий КПД

✓ *По заказу или проектным  
требованиям возможно производство  
котлов с рабочим давлением до*  
**3 bar → 143.6°C,**  
**6 bar → 165.1°C,**  
**8 bar → 170.4°C,**  
**10 bar → 179.9°C,**  
**12 bar → 187.6°C.**



**МОДЕЛИ:**

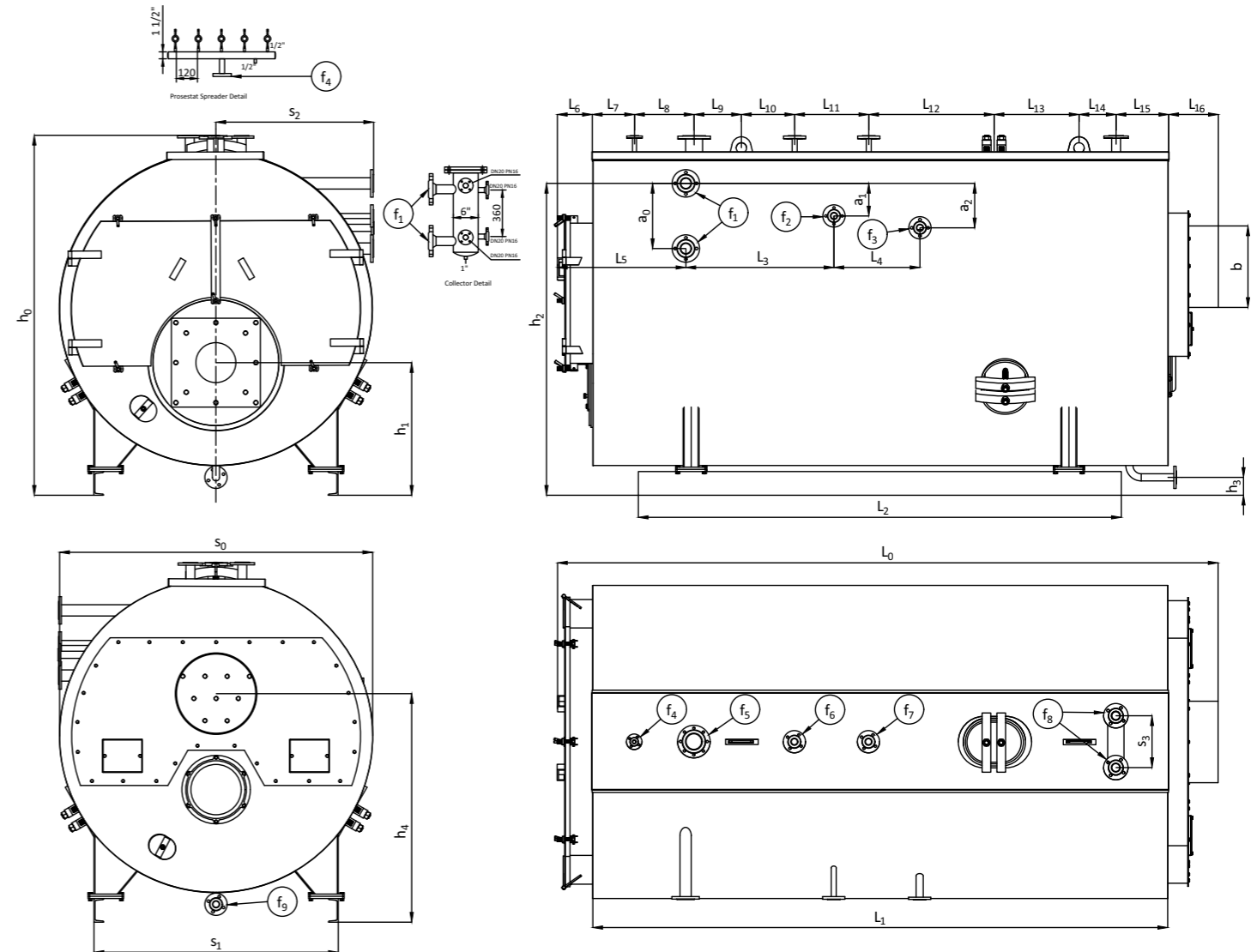
**IN520PAR, IN600PAR, IN800PAR, IN1000PAR, IN1400PAR,  
IN1800PAR, IN2200PAR, IN2400PAR, IN2600PAR,  
IN3200PAR, IN4000PAR, IN5000PAR, IN6000PAR,  
IN7000PAR, IN8000PAR, IN9000PAR, IN10000PAR**

**Технические данные котла**

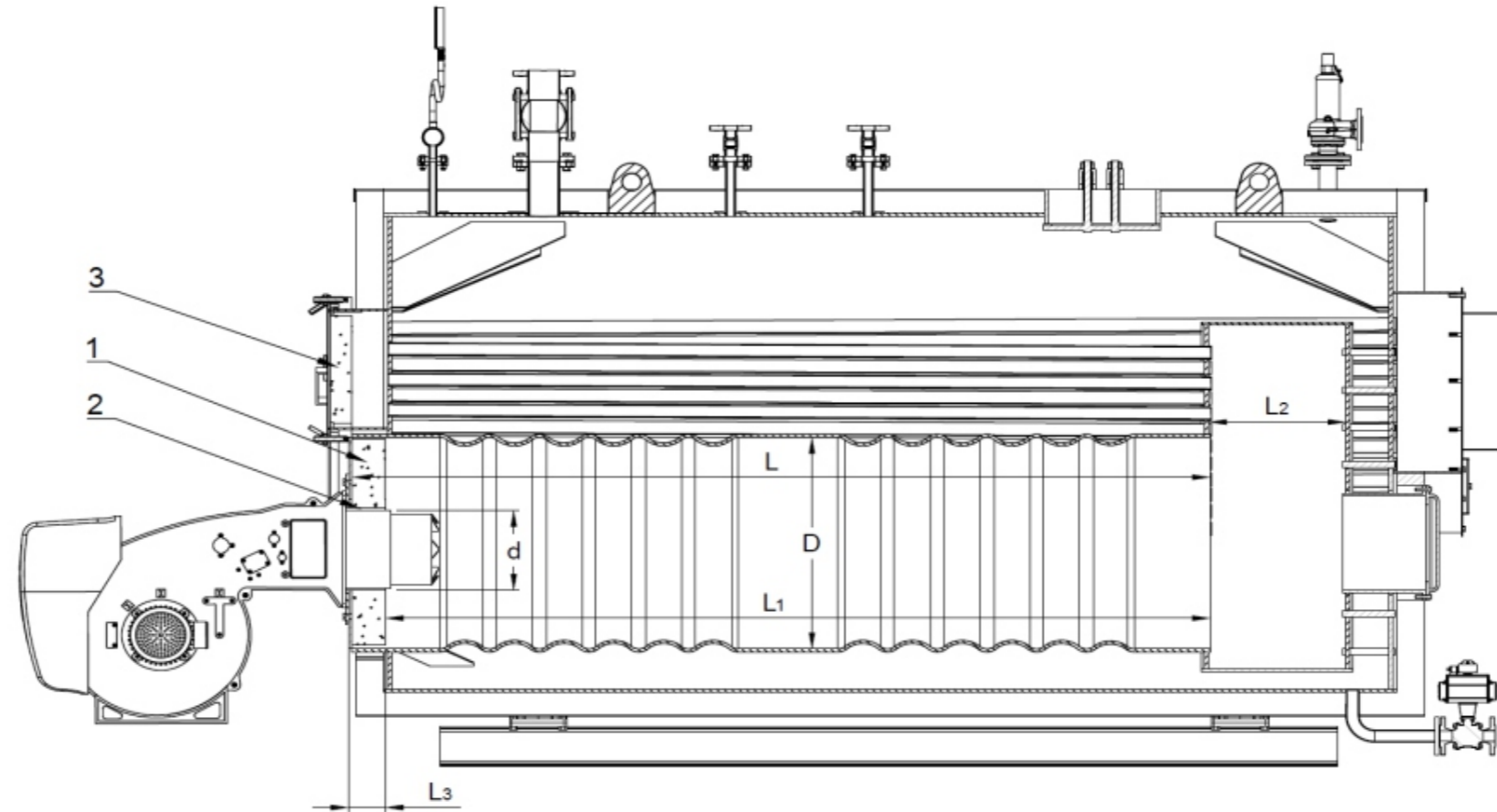
**Внешний вид котла модели IN.....PAR 520 кг/ч –25.000 кг/ч.**

	m2	h <sub>0</sub>	L <sub>0</sub>	s <sub>0</sub>	b	s <sub>1</sub>	s <sub>2</sub>	h <sub>1</sub>	h <sub>2</sub>	h <sub>3</sub>	h <sub>4</sub>	L <sub>1</sub>	L <sub>2</sub>	L <sub>3</sub>	L <sub>4</sub>	L <sub>5</sub>	L <sub>6</sub>	L <sub>7</sub>	L <sub>8</sub>	L <sub>9</sub>
IN520PAR	13	1444	1952	1347	250	877	691	570	1249	238	836	1600	1459	326	218	551	152	135	156	137
IN600PAR	15	1735	2905	1402	300	1000	745	734	1474	71	894	1920	1572	350	350	551	199	235	200	155
IN800PAR	20	1771	2675	1773	300	1047	795	688	1490	71	984	2225	1877	687	141	551	199	235	235	173
IN1000PAR	25	1764	2980	1881	300	1200	807	663	1448	71	984	2530	2157	591	350	672	199	235	235	190
IN1400PAR	35	1828	3364	1872	400	1300	863	668	1592	71	1054	2950	2602	510	320	729	199	235	235	240
IN1800PAR	45	2047	3579	1778	450	1310	887	792	1890	106	1352	2970	2340	510	640	1019	220	280	300	250
IN2200PAR	55	2109	3489	1897	500	1475	966	749	1895	106	1402	2880	2250	510	550	1019	269	280	300	250
IN2400PAR	60	2109	3739	1898	500	1475	967	749	1894	106	1402	3130	2500	610	700	1019	269	280	300	250
IN2600PAR	65	2295	3749	2047	500	1550	1032	806	2020	106	1402	3140	2600	510	550	1019	269	250	300	250
IN4000PAR	100	2453	4473	2157	550	1700	1101	886	2152	129	1509	3834	3290	1000	600	1049	250	230	400	420
IN5000PAR	125	2739	5184	2478	650	1820	1264	998	2347	135	1828	4410	3800	1200	900	1084	354	230	370	434
IN6000PAR	150	2782	5184	2570	700	2300	1318	966	2409	135	1944	4410	3800	1200	900	1084	354	365	350	400
IN7000PAR	175	2988	5325	2607	700	1860	1328	1103	2476	217	1900	4700	3500	700	900	1375	275	480	300	397
IN9000PAR	225	3112	6525	2750	800	2960	1400	1176	2557	217	2012	5900	4700	900	1000	1375	275	427	800	455
IN10000PAR	250	2825	6825	2547	800	1860	1317	1010	2300	217	1871	6200	5000	900	1000	1375	275	427	800	455

	m2	L <sub>10</sub>	L <sub>11</sub>	L <sub>12</sub>	L <sub>13</sub>	L <sub>14</sub>	L <sub>15</sub>	L <sub>16</sub>	a <sub>0</sub>	a <sub>1</sub>	a <sub>2</sub>	f <sub>1</sub>	f <sub>2</sub>	f <sub>3</sub>	f <sub>4</sub>	f <sub>5</sub>	f <sub>6</sub>	f <sub>7</sub>	f <sub>8</sub>	f <sub>9</sub>
IN520PAR	13	129	138	380	259	118	145	200	350	202	175	DN50	DN25	DN25	DN20	DN40	DN25	DN25	DN40	DN40
IN600PAR	15	150	200	280	280	149	270	150	350	190	273	DN50	DN20	DN25	DN20	DN65	DN25	DN25	DN40	DN40
IN800PAR	20	152	200	400	350	210	270	150	350	190	273	DN50	DN25	DN32	DN20	DN65	DN25	DN25	DN40	DN40
IN1000PAR	25	174	275	500	450	200	270	150	350	115	273	DN50	DN25	DN32	DN20	DN65	DN25	DN25	DN40	DN40
IN1400PAR	35	240	250	800	420	260	270	251	350	190	273	DN50	DN25	DN32	DN20	DN65	DN25	DN25	DN40	DN40
IN1800PAR	45	250	200	830	350	250	260	340	450	213	285	DN50	DN25	DN32	DN20	DN100	DN25	DN25	DN40	DN40
IN2200PAR	55	250	200	740	350	250	260	340	450	213	282	DN50	DN25	DN40	DN20	DN100	DN25	DN25	DN40	DN40
IN2400PAR	60	250	300	890	350	250	260	340	450	213	282	DN50	DN25	DN40	DN20	DN100	DN25	DN25	DN50	DN40
IN2600PAR	65	250	200	850	450	300	250	340	450	213	282	DN50	DN25	DN40	DN20	DN100	DN25	DN25	DN50	DN40
IN4000PAR	100	251	350	1100	604	250	280	370	440	220	300	DN65	DN25	DN50	DN20	DN125	DN25	DN25	DN65	DN40
IN5000PAR	125	400	300	1280	600	330	465	420	440	220	300	DN65	DN25	DN65	DN20	DN150	DN25	DN25	DN65	DN40
IN6000PAR	150	380	250	1270	600	330	465	420	450	282	352	DN65	DN25	DN65	DN20	DN150	DN25	DN25	DN65	DN40
IN7000PAR	175	500	400	613	1030	418	562	350	440	220	300	DN80	DN25	DN65	DN20	DN150	DN25	DN25	DN80	DN40
IN9000PAR	225	345	470	1241	708	892	562	350	440	220	300	DN80	DN25	DN80	DN20	DN200	DN25	DN25	DN80	DN40
IN10000PAR	250	345	470	1241	708	1192	562	350	440	220	300	DN80	DN25	DN80	DN20	DN200	DN25	DN25	DN80	DN40



Присоединительные размеры.



ARTIKUL	INSUZ MODEL	m <sup>2</sup>	çarpan	kg/h	kcal	kw	1	2	3	L	L1	L2	L3	D	d
IN520PAR13ssbP6Ak	IN520	13	40	520	312,000	363	Refrakter beton	Esnek Yalıtım Malzemesi	Refrakter beton	1400	1320	-	80	500	185
IN600PAR15ssbP6Ak	IN600	15	40	600	360,000	419				1490	1390	300	100	530	185
IN800PAR20ssbP6Ak	IN800	20	40	800	480,000	558				1695	1595	400	100	600	185
IN1000PAR25ssbP6Ak	IN1000	25	40	1000	600,000	698				1850	1750	500	100	610	205
IN1400PAR35ssbP6Ak	IN1400	35	40	1400	840,000	977				2300	2200	500	100	620	208
IN1800PAR45ssbP6Ak	IN1800	45	40	1800	1,080,000	1256				2265	2165	500	100	760	230
IN2200PAR55ssbP6Ak	IN2200	55	40	2200	1,320,000	1535				2200	2100	500	100	780	240
IN2400PAR60ssbP6Ak	IN2400	60	40	2400	1,440,000	1674				2450	2350	500	100	780	240
IN2600PAR65ssbP6Ak	IN2600	65	40	2600	1,560,000	1814				2460	2360	500	100	780	325
IN3200PAR80ssbP6Ak	IN3200	80	40	3200	1,920,000	2233				-	-	-	100	-	-
IN4000PAR100ssbP6Ak	IN4000	100	40	4000	2,400,000	2791				3100	2980	500	120	850	340
IN5000PAR125ssbP6Ak	IN5000	125	40	5000	3,000,000	3488				3722	3582	500	140	1000	400
IN6000PAR150ssbP6Ak	IN6000	150	40	6000	3,600,000	4186				3672	3532	550	140	1039	400
IN7000PAR175ssbP6Ak	IN7000	175	40	7000	4,200,000	4884				3898	3748	600	150	1140	435
IN8000PAR200ssbP6Ak	IN8000	200	40	8000	4,800,000	5581				4504	4354	600	150	1170	418.5
IN9000PAR225ssbP6Ak	IN9000	225	40	9000	5,400,000	6279				5110	4960	600	150	1200	402
IN10000PAR250ssbP6Ak	IN10000	250	40	10000	6,000,000	6977				5250	5100	600	150	1076	460